



YOUR GUIDE TO AUCKLAND'S WASTE SERVICES

Let's work together to reduce waste.



Together we can protect our land and waste nothing.
aucklandcouncil.govt.nz



WE'RE WORKING TOWARDS A ZERO WASTE FUTURE

Rubbish, recycling, food scraps and inorganic collections are a step towards achieving a zero-waste future.

By recycling every two weeks, disposing of rubbish only when bins are full, composting food scraps weekly and using the inorganic collection when you need it, we'll reduce the amount of waste going to landfill.

With your help, we can all participate to make Auckland zero waste to landfill by 2040.

Together we can protect our land and waste nothing.

Your red-lidded wheelie bin, (or blue bin with yellow lid on North Shore and Waitākere), or Auckland Council rubbish bag is for all your household rubbish that cannot go in your recycling bin, this goes in landfill and is collected every week.

Once you've reduced, reused, and recycled all you can, placed all your food waste in your food scraps bin, what's left can be sorted into your rubbish bin or bags. Please place your rubbish bin and/or rubbish bag(s) out by 7am on the collection day unless otherwise stated.



Wheelie bins come in three sizes:

- **80-litre rubbish bin (small)**
 - bin height 86cm
 - great for a 1-2-person household
 - fits approximately 1.3 x 60-litre rubbish bags.
- **120-litre rubbish bin (medium)**
 - bin height 92cm
 - great for a 2-4-person household
 - fits approximately 2 x 60-litre rubbish bags.
- **240-litre rubbish bin (large)**
 - the same size as your standard recycling bin
 - bin height 106cm
 - great for a 4 or more-person household
 - fits approximately 4 x 60L rubbish bags.

Bags

Council pre-paid orange rubbish bags are for use in Franklin and rural areas of North Shore, Waitākere and Papakura.

- For use in bag-collection areas only.
- The maximum bag weight is 10kg.
- Wrap any broken/sharp items before putting them in your bag.

RECYCLING COLLECTION MADE EASY

Your green and yellow or blue lidded wheelie bin is for recycling. It is collected every two weeks.

- You can recycle:
 - plastic bottles, trays and containers numbered 1, 2 and 5 only
 - glass bottles and jars
 - food and drink steel, aluminium and tin cans
 - paper and cardboard.
- Simply place items emptied, clean and loose into your recycling bin.
- Please don't put plastic bags or soft plastics in your recycling bin – they get caught in the sorting machines. You may be able to drop these to collection points at your local participating retailers. Otherwise, they should go in your rubbish bin.



Recycling tips

- Empty and rinse all recyclables and place them loose in your kerbside recycling bin.
- Take lids off all bottles and containers and place in your rubbish bin.
- Include paper, and cardboard packaging in your recycling bin.
- All recyclable items need to be larger than 50mm x 50mm, but smaller than 4-litres.
- Your bin lid must be fully closed. If you have too much recycling for your bin you can take it to your local Community Recycling Centre or Transfer Station (charges may apply).
- Please do not place plastic bags or polystyrene inside your recycling bin. These can damage our sorting machinery.

On the next page is a summary of what can go in your recycling bin.

For a full list of what can and can't go in your recycling bin, use our recycling search tool at aucklandcouncil.govt.nz/rubbishandrecycling

Are you a *Recycling Legend*

Take the challenge and play the game. Visit recycleright.co.nz

✓ Yes please

CONTAINERS



Plastic containers* numbers 1, 2 and 5



Glass bottles and jars



Steel, aluminium, and tin cans

PAPER AND CARDBOARD



Advertising mail and envelopes



Newspapers and magazines



Paper and cardboard packaging



Egg cartons and cereal boxes

*Only plastics 1, 2 and 5 are accepted and recycled through Auckland Council's roadside recycling collection.

✗ No thanks



Plastic bags (full or empty)



Food scraps



Clothing, shoes and bedding



Hazardous waste, chemicals and empty aerosol cans



All types of batteries



Nappies



Polystyrene



Cookware, pyrex and window, mirror and drinking glass



Electronic and electrical items



Medical waste



Garden waste



Gas bottles

FOOD SCRAPS

Give us your rukenga kai (food scraps) and we'll turn them into clean energy and liquid fertiliser. Just put them into your food scraps bin and we'll collect them weekly.

Your food scraps are collected weekly on your usual council collection day. Put it out every week, even if it's not full.

The food scraps service is complementary to home composting and worm farms. The food scraps bin takes meat, small bones, onion skins, citrus and shellfish. Please visit compostcollective.org.nz for more information on home composting.

WHAT GOES IN YOUR FOOD SCRAPS BIN



Vegetable scraps, including peelings, stalks and skins



Fruit scraps, including peelings, cores, stalks and skins



Meal scraps



Bread and mouldy food



Pasta and rice



Dairy products



Meat bones and scraps including fat trimmings



Fish scraps and bones, and shellfish shells



Eggshells



Coffee grounds and tea leaves



Indoor cut flowers

The following items **DO NOT** go in your food scraps bin:

- ✗ Garden waste
- ✗ Disposable food containers and utensils, including compostable items
- ✗ Plastic bags
- ✗ Cigarette butts
- ✗ Sanitary products and nappies
- ✗ Pet waste
- ✗ Cling film, waxed paper or aluminium foil

Food scraps are full of valuable nutrients. The collected material will be turned into clean energy and liquid fertiliser. To find out more visit aucklandcouncil.govt.nz/foodscraps or scan the QR code.



Have you thought about trying a worm farm, compost bin, or bokashi bin? It is a great way to keep the goodness in your garden.

Visit compostcollective.org.nz to find out more.



Auckland Council compostable bin liners



Pink Auckland Council compostable bin liners are easy to use, they keep your kitchen caddy clean and help to reduce smells.

Store your compostable bin liners somewhere dry, away from sunlight.

Compostable bin liners can be purchased at local supermarkets and council libraries.

*Recommended retail price. Pricing may vary between retailers.

For great ideas and free workshops visit lovefoodhatewaste.co.nz



ON YOUR COLLECTION DAY

- Leave your bins and/or bags as close as you can to the kerbside, clear of the edge of the kerbside and clear of other bins.
- Put your food scraps bin out to the side of your other bins, leaving a large gap to allow our collection workers easy access.
- Place your bin or bag away from signs, lamp posts, trees, and parked cars.
- Make sure your bin is not overfull and that the lid is fully closed.
- For your food scraps bin, press down on the lid and bring the black handle up to lock the bin lid in place.
- Place your bin or bag out by 7am on your collection day unless you have an earlier collection time. Remember your collection is usually one day later after a public holiday. Want to get a txt message to remind you before every public holiday? Visit aucklandcouncil.govt.nz/holidays and never miss a collection day again.
- Wrap any broken glass or sharp objects before putting them in the rubbish.
- If you share a berm with your neighbours, place your food scraps bins together in a cluster.
- Remember, if you don't put your rubbish, recycling or food scraps out correctly, it may not be collected.
- For information about loss of a bin, damage to a bin, or collection day changes, please visit aucklandcouncil.govt.nz/rubbishandrecycling

Presenting the bins for collection

Rubbish week:

Rubbish wheelie bin and food scraps bin.



Recycling week:

Rubbish and recycling wheelie bins and food scraps bin.



GARDEN WASTE

Garden waste cannot be disposed of in rubbish or recycling bins or bags used for kerbside collections. Garden waste can be dropped off to your local transfer station or you can book a private garden waste collector to pick up and dispose of it.

Garden waste is grass clippings, branches, weeds, plants and wood.

Reduce garden waste by:

- mulching your lawn clippings and woody waste
- reusing your grass clippings by leaving them on the lawn after mowing to return vital nutrients to the soil
- cutting only the top third of the grass each time
- replanting sections of your lawn with slow-growing native ground covers
- composting in your garden and putting the compost back in your soil.



INORGANIC COLLECTION

Have an annual clean out and book your inorganic collection. Encourage your friends, family, and neighbours to do the same.

You can book an inorganic collection for large items once a year. It is designed to reduce the amount of material sent to landfill. When we collect your inorganic items from on your property, we save anything we can repair, repurpose, or reuse and donate it to community groups. With your support, we can all work together to help Auckland achieve zero waste to landfill by 2040.

You can book an inorganic collection in advance in the way that works best for you:

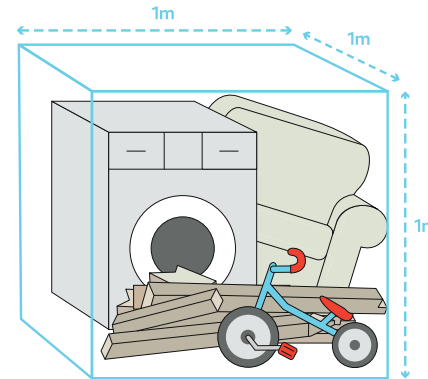
- online at aucklandcouncil.govt.nz/inorganic
- visit your local Auckland Council library.

We will notify you one week before your collection week, so if you decide you no longer need a collection, you have time to cancel it.

Once you have all your inorganic items together, please check:

- items are easy to access **within the boundary of your property**
- your items take up no more than one cubic metre.

Don't delay, book your inorganic collection. Scan the QR code or visit aucklandcouncil.govt.nz/inorganic to find out more information.



HAZARDOUS WASTE

Hazardous household waste is unwanted household products and chemicals that can potentially harm people's health or pollute the environment. Hazardous waste often has labels such as 'warning', 'caution', 'danger', 'poison' or 'do not dispose of with household rubbish'.

Hazardous waste must **NOT** be put out with your kerbside rubbish or recycling collections.

The best way to manage hazardous waste is to eliminate or reduce its use wherever possible.

- Use safer products in the house, garden and shed. It's amazing how effective non-hazardous materials like baking soda, vinegar and borax are.
- Only buy as much of a hazardous product as you need.
- Consider ways to reduce the use of chemicals in the garden.
- Buy environmentally-friendly products. Look out for Eco Choice Aotearoa logo.
- Don't leave your old chemicals, oils or paint behind if you are moving house. Make sure you take them to a drop-off point.

It is important to dispose of hazardous waste such as batteries, gas cylinders, home or garden chemicals and paint carefully. There are various places you can take hazardous waste depending on what it is.

Auckland Council transfer stations that accept household hazardous waste

Waitākere Refuse and Recycling Transfer Station	50 The Concourse, Henderson. 09 301 0101.
Waiheke Community Resource Recovery Park	108-110 Ostend Road, Waiheke Island. 09 890 4001.
Aotea Transfer Station	70 Gray Road, Claris, Aotea / Great Barrier Island. 09 429 0799.

Commercially operated transfer stations that accept household hazardous waste

Silverdale Transfer Station	101 Foundry Road, Silverdale. 09 421 9111.
------------------------------------	---

Visit aucklandcouncil.govt.nz to find your nearest hazardous waste drop-off point. Check what types of hazardous waste are accepted before you visit.

COMMUNITY RECYCLING CENTRES

Auckland's network of locally Community Recycling Centres (CRCs) enables residents and local businesses to drop off their waste and unwanted goods and materials throughout the year.

As well as the convenience of local drop off facilities, residents and businesses can save money on hiring a skip bin or taking goods and materials to a transfer station.

The centres offer local employment and training opportunities, as items are being repaired, refurbished, recycled or repurposed, rather than thrown away. CRCs may also sell reusable goods and materials, compost and other products.

The goal is to divert as much as possible from landfill, keeping resources in our community while taking care of the environment.

Each CRC offers a different range of services which may include drop-off of some of the following materials:

- reusable goods (e.g. furniture, appliances, tools, outdoor equipment)
- recyclable materials (e.g. bottles, cans, paper)
- construction/demolition materials (e.g. bricks, timber, electrical/plumbing fittings)
- bulky materials (e.g. scrap steel, whiteware, tyres)
- electronic waste (e.g. TVs, computers)
- organic materials (e.g. green waste, food waste).

Charges may apply for dropping off some items.



We currently have 14 centres that are already operational, with a goal of having 21 sites across Auckland by 2031.

Contact your nearest centre to learn more about the services they provide.

Scan the QR code to find the nearest CRC to your location.

Drop in and check out your CRC today!



TRANSFER STATIONS

A transfer station is a place that accepts and sorts waste before it is sent to a landfill or recycling facility.

Waste contractors and the public can take waste items not suitable for kerbside collection to transfer stations.

This may include:

- general waste
- window glass
- garden waste
- household waste
- hazardous items
- scrap metal
- construction and demolition waste
- household items and furniture.

There are 15 transfer stations in the Auckland region – three are owned and operated by Auckland Council (see previous page), while the others are commercial transfer stations.

Before visiting we recommend you check aucklandcouncil.govt.nz/transferstations for accepted items, fees and charges, and current opening hours.



ILLEGAL DUMPING

If you see dumped rubbish on public property, call **0800 NO DUMP (0800 663 867)** 24 hours a day, seven days a week.

Offenders caught illegally dumping rubbish may be issued with a fine of up to \$30,000.

Your rubbish is your responsibility. Dumping rubbish is illegal.



Please remember no batteries, gas bottles, appliances or vape devices in your recycling or rubbish bin. They can cause fires. If you've got items that are unsuitable for your kerbside rubbish or recycling collection, we can help you find the best way to get rid of them.

To discover the correct disposal methods for items that can't go in your bin, simply scan the QR code or search 'unwanted items' on our website.

Let's take pride in Tāmaki Makaurau.



LICENSED COLLECTORS

If you need help to take your unwanted recyclables or rubbish to a transfer station, why not call one of the collectors licensed by Auckland Council?

These collectors are required to meet health, safety and quality standards and their drivers must be trained in containment and spillage issues. Many licensed collectors also aim to recycle as much of the material collected as possible.

To ensure your waste is disposed of responsibly please ensure you select a registered license waste collector.

Visit **environment.govt.nz** and search 'waste facilities and disposal' for more information.

Together we can protect our land and waste nothing.

Visit **aucklandcouncil.govt.nz**

